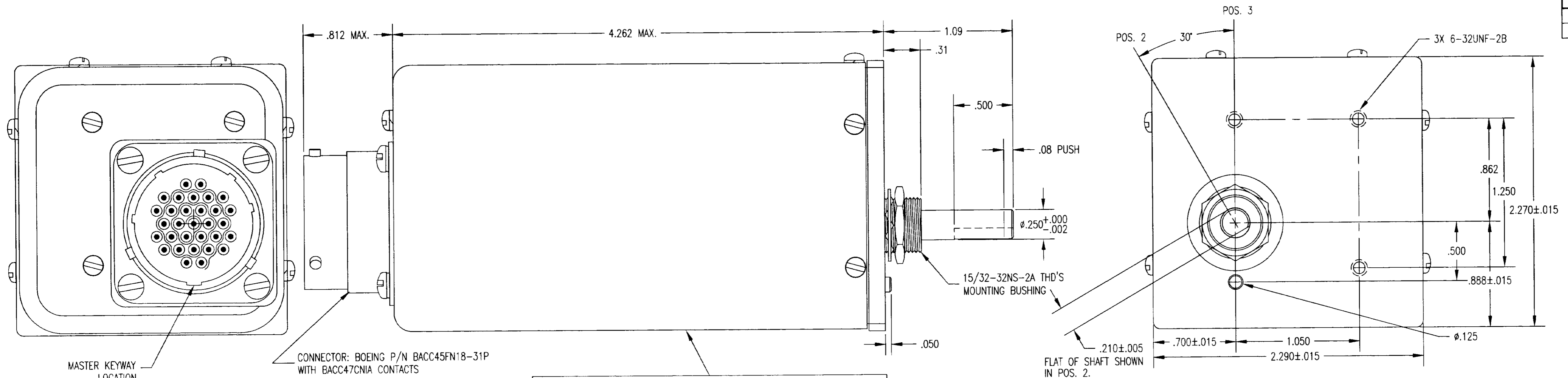
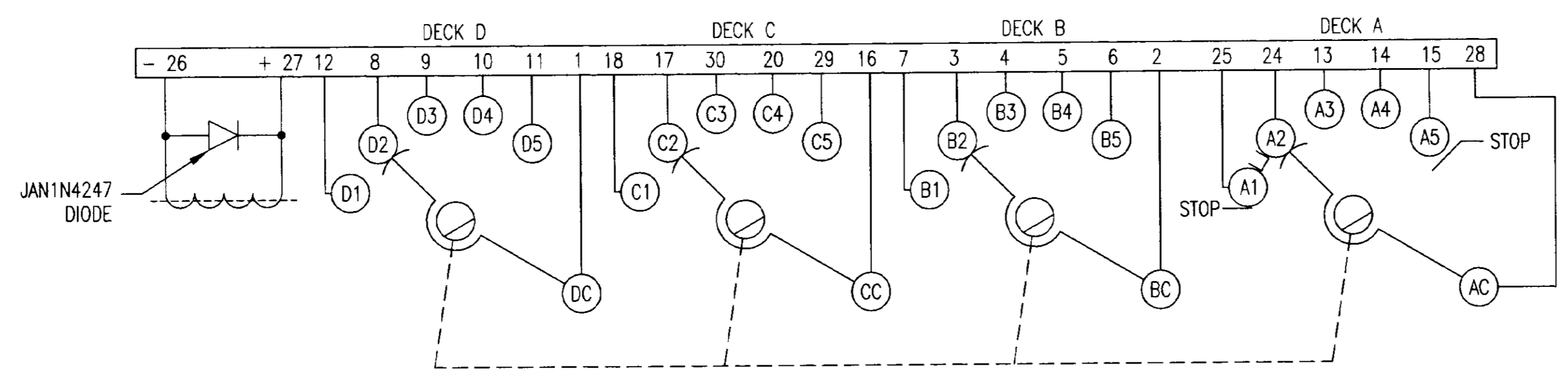


REVISIONS			
SYM.	DESCRIPTION	DATE	APPROVED
G	PICTORIAL REVISION REDRAWN	10-2-97	P.G.
H	REVISED CONNECTOR P/N	6-28-99	



**AUTOBRAKE SELECTOR SWITCH**  
 BOEING P/N  
**JANCO CORP**  
 P/N AC30-0005  
 S/N  
 DATE CODE

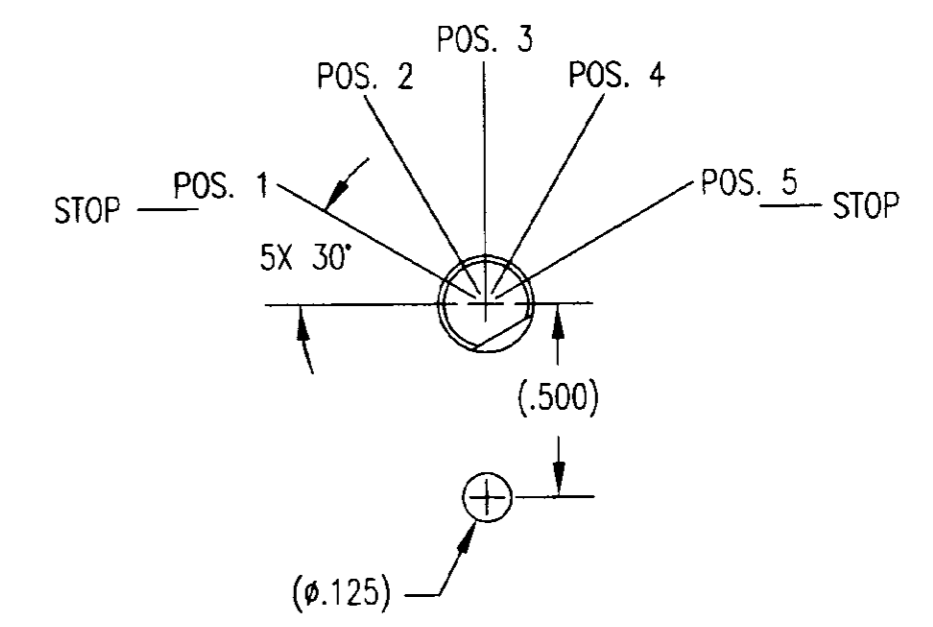
(DECAL ON BOTTOM OF CONTAINER)



**SCHEMATIC DIAGRAM**

VIEWS FROM SHAFT END OF SWITCH SHOWN IN POS. 2. SWITCH IS SHORTING, 5 POS., 1 POLE/DECK, 4 DECKS. POS. 1 IS ISOLATED PUSH TO ENTER & EXIT.

**PANEL MOUNTING LAYOUT**



- WITH SOLENOID ENERGIZED AT 28VDC SWITCH MUST WITHSTAND A CW TORQUE OF 24-35 IN. OZ. WHEN SWITCH IS IN POS. 5.
- ALL UNITS TO BE ELECTRICALLY AND MECHANICALLY INSPECTED 100%.
- USEFUL LIFE OF 50,000 CYCLES, AFTER ROTATION OF 25,000 CYCLES CONTACT RESISTANCE MAY INCREASE, INSULATION, AND DIELECTRIC STRENGTH MAY DECREASE AND TORQUE MAY INCREASE OR DECREASE DUE TO WEAR.
- LATCHING CIRCUIT: 22 TO 29.5 VDC, CURRENT DRAW: .35 AMP MAX @ 28VDC WITH DIODE ARC SUPPRESSER. MUST HOLD IN AT 22VDC AND DROP OUT AT 15 +0/-12 VDC. DROPOUT TIME FROM POS. 5 TO 2 100 MSEC MAX.
- ALL METAL PARTS ARE TREATED FOR CORROSION RESISTANCE.
- STOP STRENGTH: 15 IN LBS MIN.
- POS. 2 IS NORMAL REST POS. FOR SELECTION OF POS. 1, PUSH SHAFT IN AND TURN CCW TO STOP. TO RETURN TO POS. 2, PUSH SHAFT IN AND TURN CW TO POS. 2. FOR SELECTION OF POS. 3, 4, OR 5 NO DEPRESSION IS NECESSARY SWITCH IS DETENT HELD IN POS. 3, 4, & 5 BY SOLENOID. IN CASE OF POWER FAILURE, SWITCH RETURNS FROM POS. 3, 4, OR 5 TO POS. 2 AUTOMATICALLY. IN NO CASE WILL THE SWITCH PASS THROUGH POS. 2 TO POS. 1 AUTOMATICALLY.
- VIBRATION: PER MIL-STD-202 METHOD 204 TEST CONDITION A (10G 10-500 Hz).
- CONTACT RESISTANCE: .030Ω INITIAL (THRU CONNECTOR) .1Ω 6VDC AFTER LIFE
- DIELECTRIC STRENGTH: 1,500V RMS FOR 60 SECONDS (INITIALLY) 1,000V RMS FOR 60 SECONDS (END OF LIFE)
- INSULATION RESISTANCE: 5,000MΩ, 500VDC.
- TORQUE: 5 IN LBS MAX.
- TEMPERATURE RANGE: -65°F TO +165°F.
- MAXIMUM ALTITUDE: 70,000 FEET.
- ELECTRICAL RATING:
 

	DECKS A, B, & D	DECK C
CONTINUOUS:	10 AMPS, 28VDC	10 AMPS, 28VDC
DRY CIRCUIT:		50μ AMP, 11VDC
RESISTIVE:	2 AMPS, 28VDC	200 mA, 28VDC
LAMP:	160 mA, 28VDC	100 mA, 28 VDC
IN RUSH:	4 AMPS, 28VDC 15m SEC	500 mA, 28VDC 15m SEC
MAKE & BREAK:	25,000 CYCLES, 1 CYCLE DEFINED PER NOTE 10	25,000 CYCLES, 1 CYCLE DEFINED PER NOTE 10

1. THIS IS A VENDOR CONTROL DRAWING COVERING JANCO P/N AC30-0005. NO CHANGES WILL BE MADE WITHOUT CUSTOMER APPROVAL.

NOTES:

CURRENT DESIGN ACTIVITY CAGE CODE 81579  
 MASON ELECTRIC COMPANY, INC.  
 13955 Balboa Blvd.  
 Sylmar, CA 91342-1084

THE DOCUMENT(S) TRANSMITTED HEREIN ARE PROPRIETARY TO MASON ELECTRIC COMPANY. USE OR DISCLOSURE TO THIRD PARTIES FOR PURPOSES OTHER THAN AS TRANSMITTED IS EXPRESSLY PROHIBITED WITHOUT THE PRIOR WRITTEN PERMISSION FROM AN AUTHORIZED MASON ELECTRIC REPRESENTATIVE.

**CAUTION**  
 DO NOT MANUFACTURE TO THIS DRAWING UNLESS STAMPED IN RED "OFFICIAL RELEASE"  
 IF NOT STAMPED, DRAWING SUBJECT TO CHANGE WITHOUT NOTICE AND USED FOR REFERENCE ONLY

THIRD ANGLE PROJECTION
DIMENSIONS AND VALUES IN BRACKETS [ ] ARE METRIC
TOLERANCES-MILLIMETER X.XX ± X.XXX ±

AC30-0005  
 H

ITEM NO.	QTY. REQD.	PART NO.	DESCRIPTION
LIST OF MATERIALS			
UNLESS OTHERWISE SPECIFIED DIMENSIONS ARE IN INCHES TOLERANCES ON:			
FRACTIONS	DECIMALS	ANGLES	
	.XX±.03	±2°	
	.XXX±.010		
DATE	BY	DATE	TITLE
1-29-82	A.M.	1-29-82	SWITCH, ROTARY 4 POLE, 5 POSITION
2-1-82	L.J.	2-1-82	
2-1-82	L.J.	2-1-82	
APPROVED			D 91812
APPROVED			AC30-0005
APPROVED			SIZE: D 91812
APPROVED			SCALE: 2/1
APPROVED			SHEET 1 of 1

**JANCO**  
 AN ESOP CORP  
 3111 WINDONA AVE BURBANK, CALIFORNIA